

INSTRUCTION MANUAL

MODEL:CTF7201

Important Information

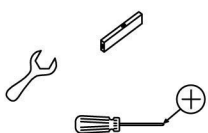
- Below instruction manual fits the installation, After opening the boxes, check if everything is ok after transportation. Once the model is installed, we will not acknowledge the damage caused in transportation.
- Be careful of moving the product, especially the glass, don't knock it heavily, esp. 4 corners of the glass.
- Install the product according to the instruction strictly in case the parts falls down and be damaged.

Tools used during installation

Spirit Level

Spanner

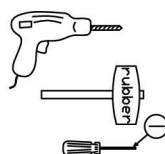
Star screwdriver



Electric driller

Rubber hammer

Flat screwdriver



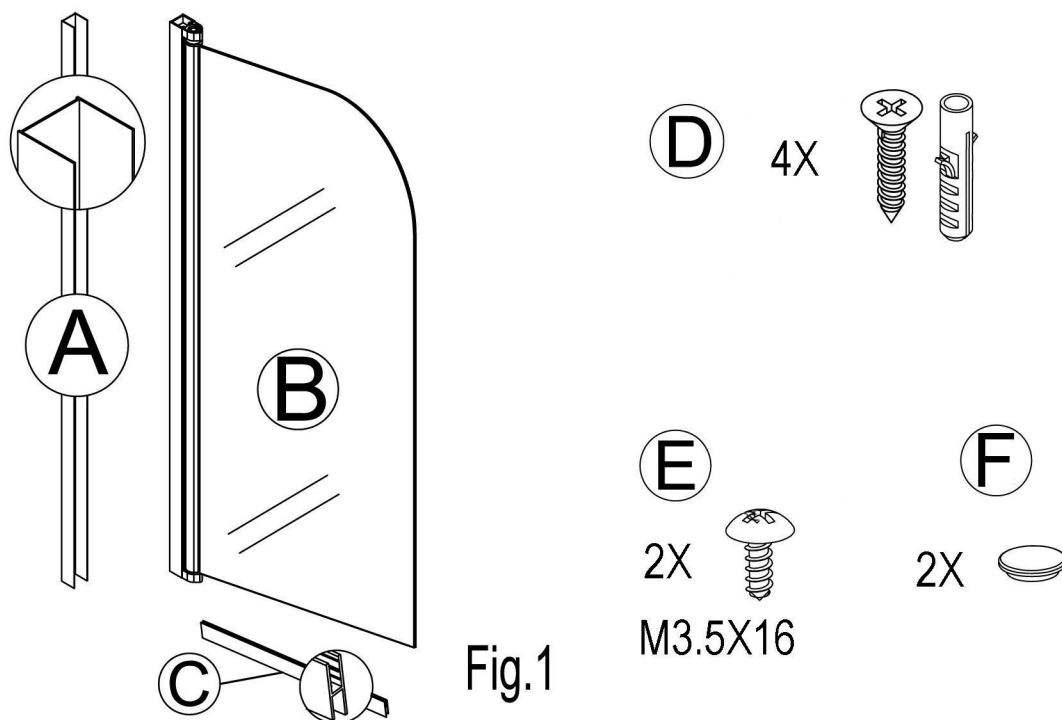
Measuring tape

Pencil

Silicone



Accessories list



N.O.	PART NAME	QUAN.	N.O.	PART NAME	QUAN.
A	ALUMINUM CHANNEL	1	D	SCREW AND PLASTIC ANCHOR	4
B	SCREEN PANEL	1	E	M3.5*16 SCREW	2
C	PLASTIC STRIP	1	F	CAP	2

Installation

- (Fig.2) Mark drilling positions on the wall as per the size of your shower enclosure, referring to the fig.2 and mount aluminum channel (item A) using 4.8*50 (item D) screws with plastic anchor. (Pls attention the water

- pipe and electric wire in case accident happens.)
- (Fig.3) put the glass door into the aluminum channel, and fix them with 3.5X16 screw in the inside surface of wall profile. Place caps to conceal screws.
 - (Fig.3) Put the hard plastic strip onto the down edge of glass door to stop water coming out.

Sealing the enclosure

- Use only a top quality anti-fungal clear silicone sealer to seal between the profiles and walls, as well as between the panels and the shower tray only on the inside of the enclosure, Do not use the enclosure for at least 24 hours.

Looking after your shower enclosure

- Do not apply unnecessary downward pressure to the door during opening and closing, as this might result in damage to the enclosure.
- Do not use abrasives to clean.

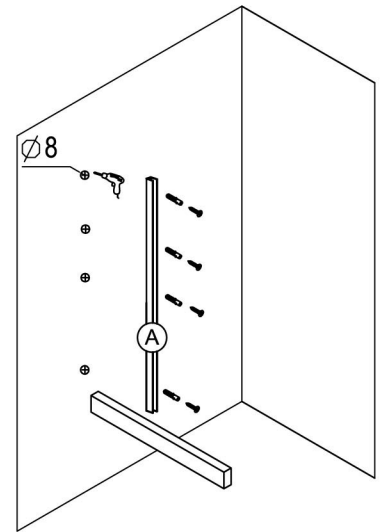


Fig.2

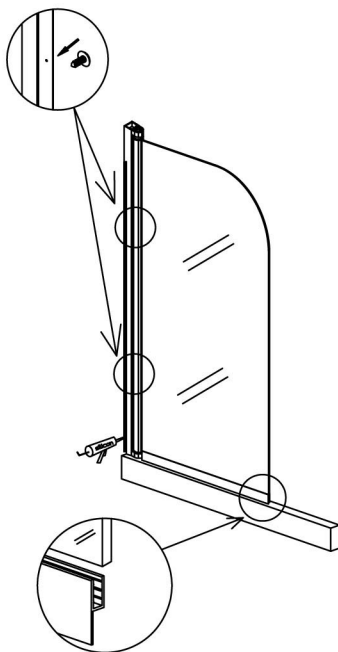


Fig.3

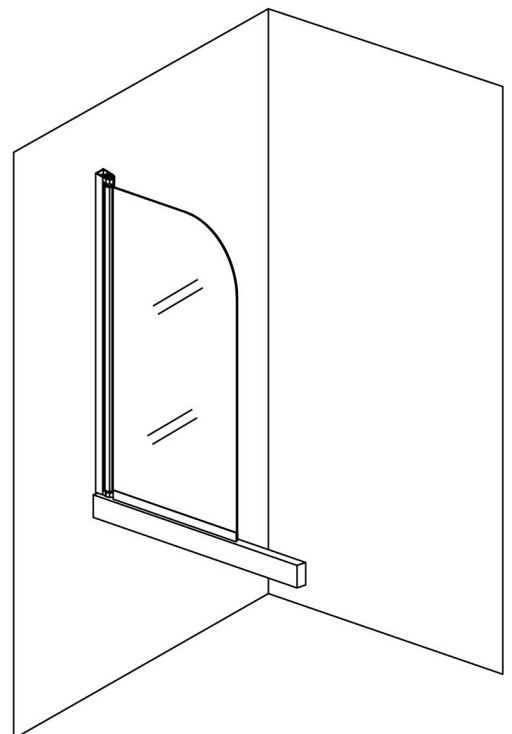


Fig.4