

# INSTRUCTION MANUAL

MODEL:CT6012

## Important Information

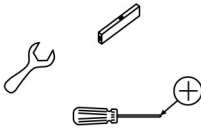
- After opening the box please check to ensure that no damages have occurred during the transportation process and that all parts are inside the box.
- Be careful when handling the glass panels as they are made of tempered safety glass and are designed to shatter if cracked or chipped.
- We recommend that you use one of our preferred installers to install this door

## Tools used during installation.

Spirit Level

Spanner

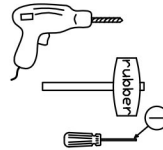
Star screwdriver



Electric driller

Rubber hammer

Flat screwdriver



Measuring tape

Pencil

Silicone



## Accessories list

See picture 1.

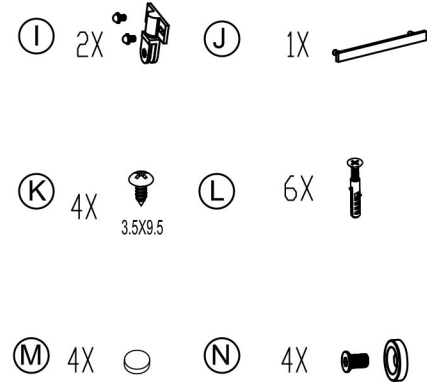
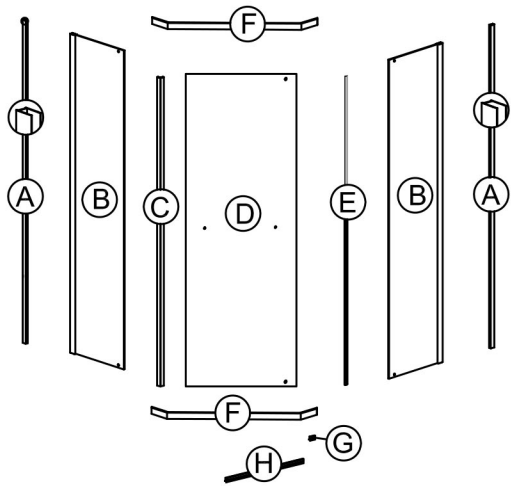


Fig.1

N.O.	PART NAME	QUAN.	N.O.	PART NAME	QUAN.	N.O.	PART NAME	QUAN.
A	ALUMINUM CHANNEL	2	F	SUPPORT ARM	1	K	3.5*9.5 SCREW	1
B	FIXED GLASS PANEL	2	G	RUBBER SWEEP B	2	L	SCREW AND PLASTIC ANCHOR	4
C	MAGNETIC STRIP	2	H	RUBBER SWEEP C	1	M	DECORATIVE CAPS	6
D	GLASS DOOR PANEL	1	I	PIVOT HINGE	1	N	SCREW FOR SUPPORT ARM	4
E	RUBBER SWEEP A	1	J	HANDLE	2			

## Installation

(Fig.2) Measure 885mm from corner to outer wall and mount wall channels to the wall. Drill 6mm holes into tiles, making use of supplied screws and wall plugs. Ensure channels are level by making use of spirit level. Be sure not to drill into water pipes.

2. (Fig.3) Insert fixed glass panel into mounted wall channels.
3. (Fig.4) Install support arm between two fixed glass panels with supplied screws.
4. (Fig.4) Fix hinge onto support arm.
5. (Fig.5) Attach door glass panel to hinges.
6. (Fig.5) Fix the handle. Install the magnetic strip and rubber sweeps.
7. (Fig.5) Use supplied drill bit and drill through the glass profiles into the wall channels and the use provided screws and chrome decorative covers to secure fixed panels.
8. The shower enclosure can now be sealed with a silicone sealant. Please do not use shower enclosure until the sealant has dried completely

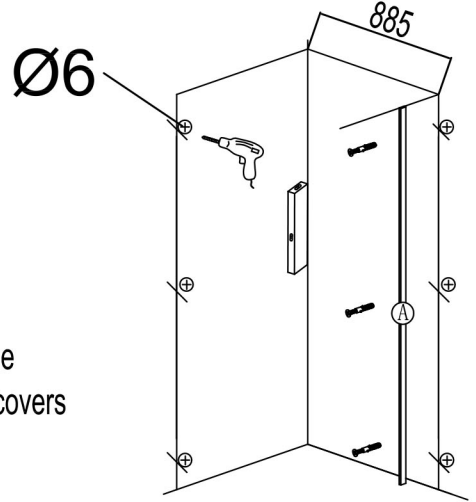


Fig.2

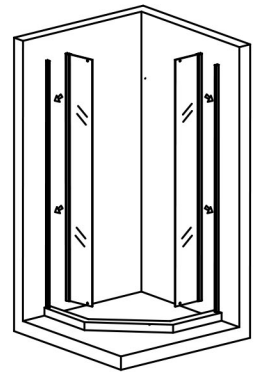


Fig.3

The size of this enclosure may differ to that specified on the carton due to the compensation channels.

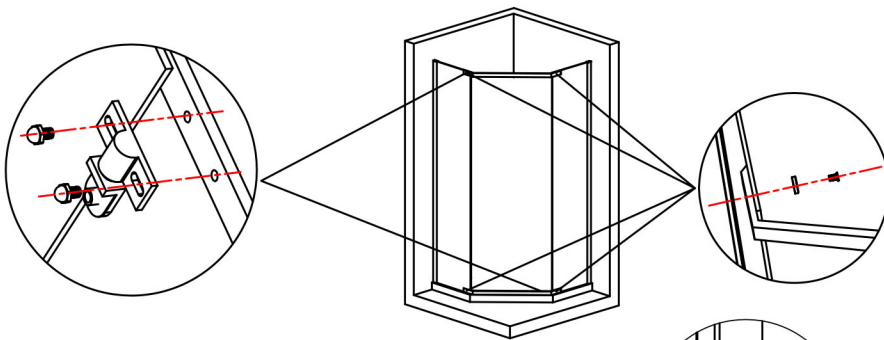


Fig.4

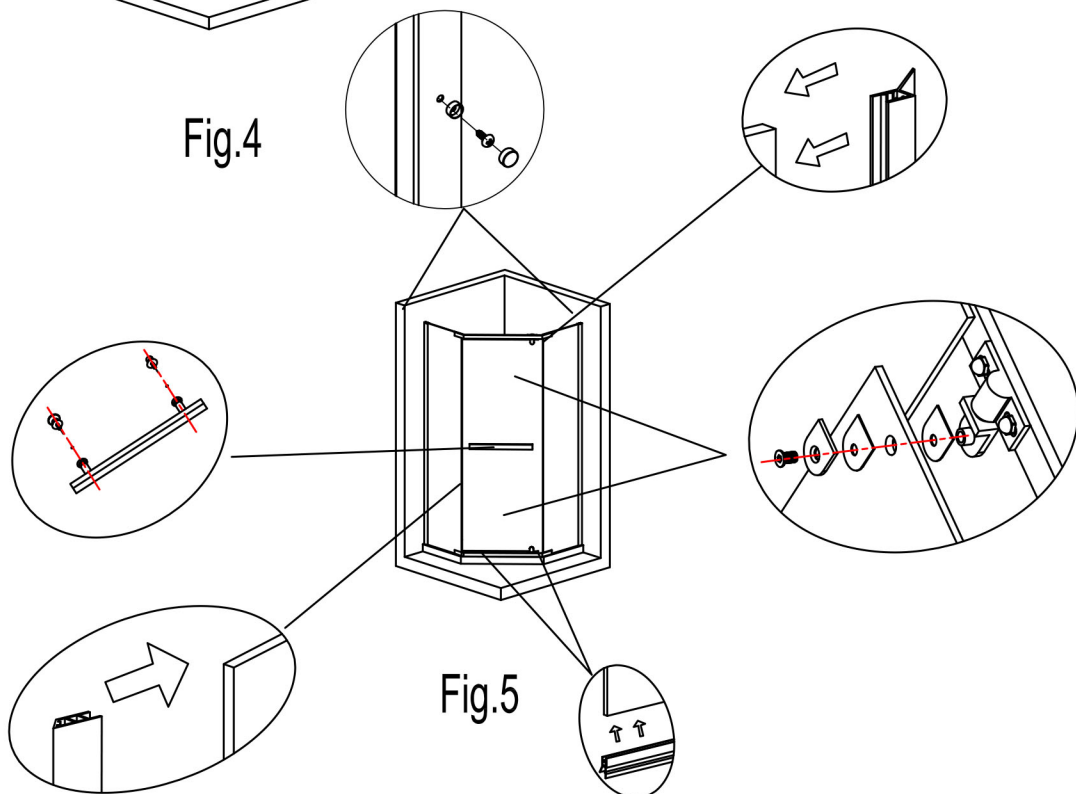
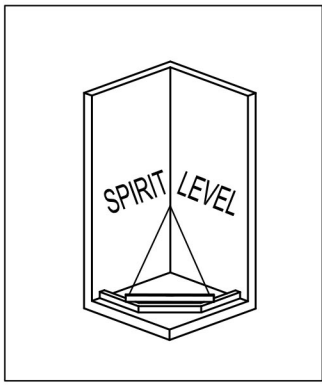
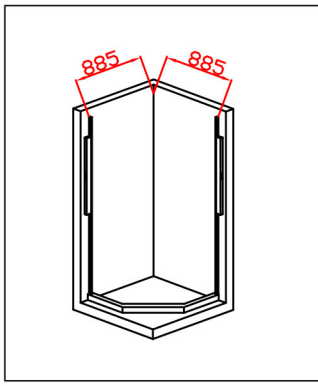


Fig.5

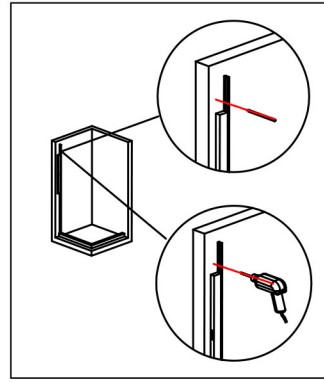
# CT6012 DIAGRAM INSTRUCTION



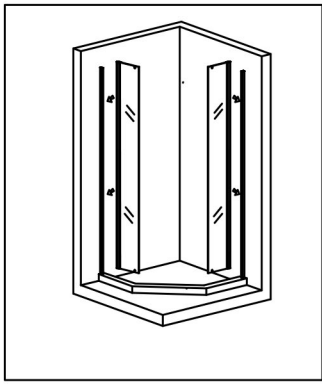
1. Ensure that the floor/tray is level before you begin with the installation.



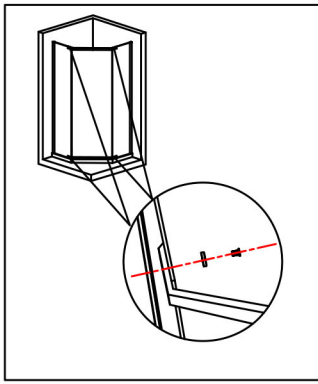
2. Measure 885mm from the 90 degree corner to mark the outer position of the aluminium wall channel.



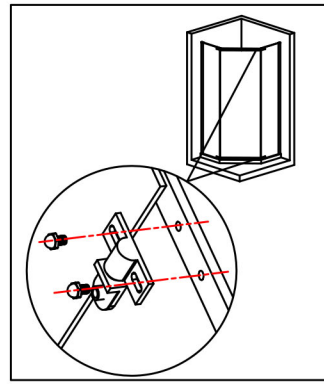
3. Ensure that you use a spirit level to make sure that the wall channel is completely plumb before you mark and drill the holes.



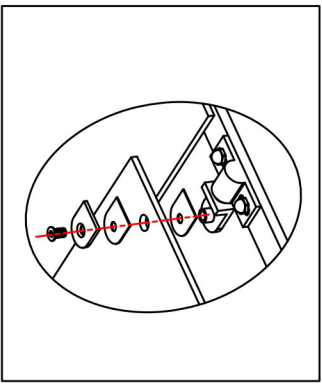
4. Insert fixed panels.



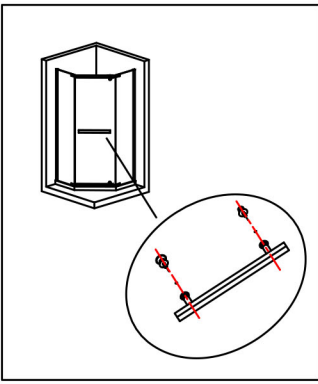
5. Install support arm between two fixed glass panels with supplied screws



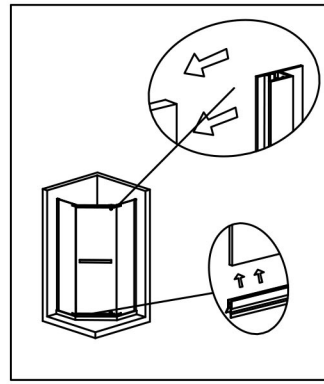
6. Fix the hinge.



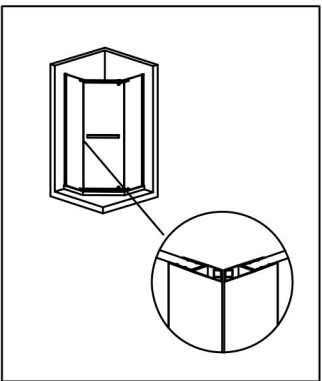
7. Hang the glass door and fix the hinge.



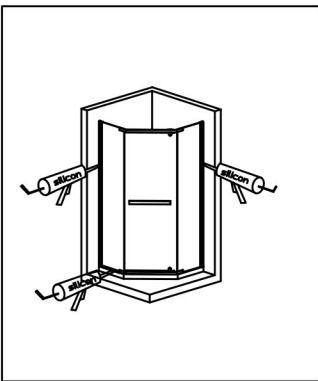
8. Door handle assembly.



9. Assemble waterproof rubber.



10. Fix magnetic strip.



11. You now need to seal the enclosure with a good anti fungal silicone, **only seal the outside of the enclosure. DO NOT SEAL THE ENCLOSURE ON BOTH SIDES!**



12. Allow the enclosure to dry for **at least 24 hours** before making use of it.