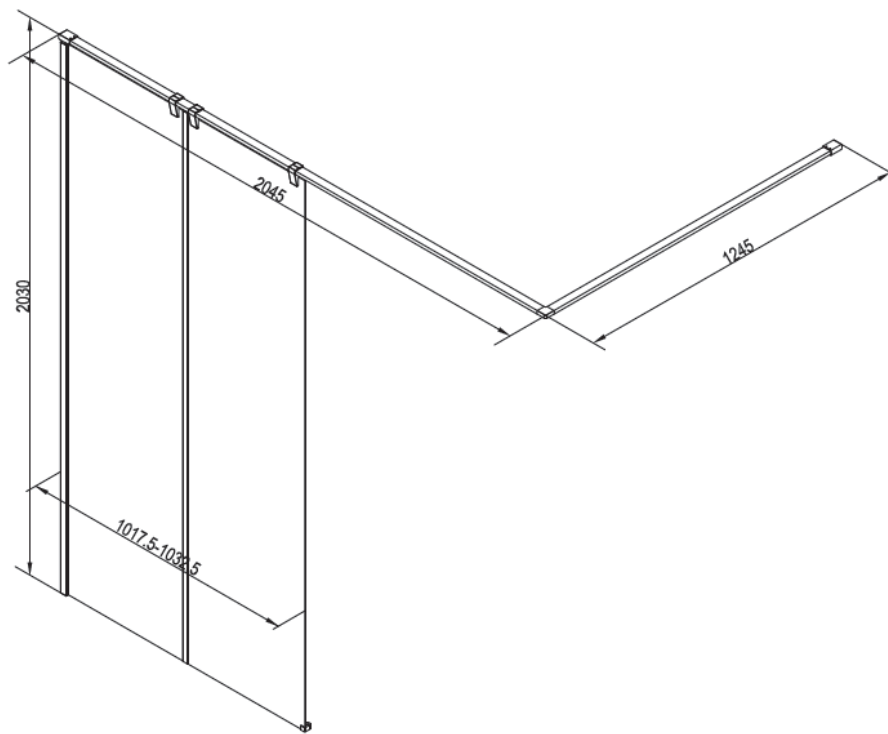


INSTALLATION ILLUSTRATION OF MODEL F7600

KIT 1



IMPORTANT NOTICE

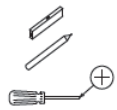
- Before the installation process begins, ensure that all components are in the box, and that the door is not damaged in any way.
- Be careful when moving the product, especially the glass, as it is tempered and is designed to shatter on impact if the corners are knocked.
- Read these instructions carefully and install the enclosure as specified below. We recommend that you use one of our preferred installers to install the enclosure.

TOOLS USED DURING INSTALLATION

SPIRIT LEVEL

PENCIL

STAR SCREWDRIVER



ELECTRIC DRILL

RUBBER HAMMER

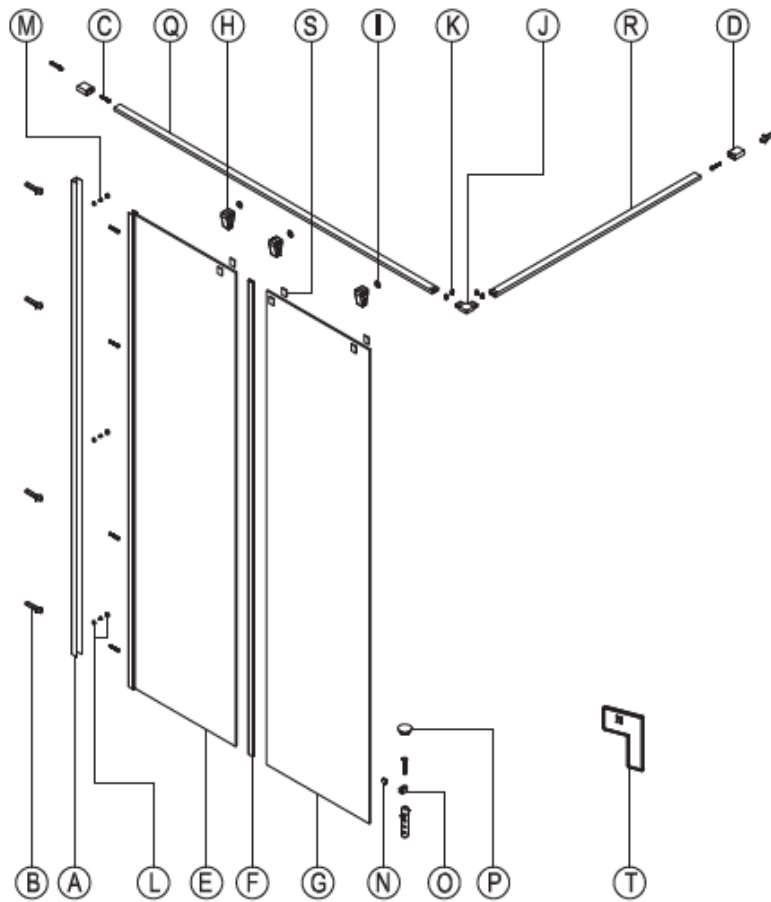


MEASURING TAPE

SILICONE SEALER



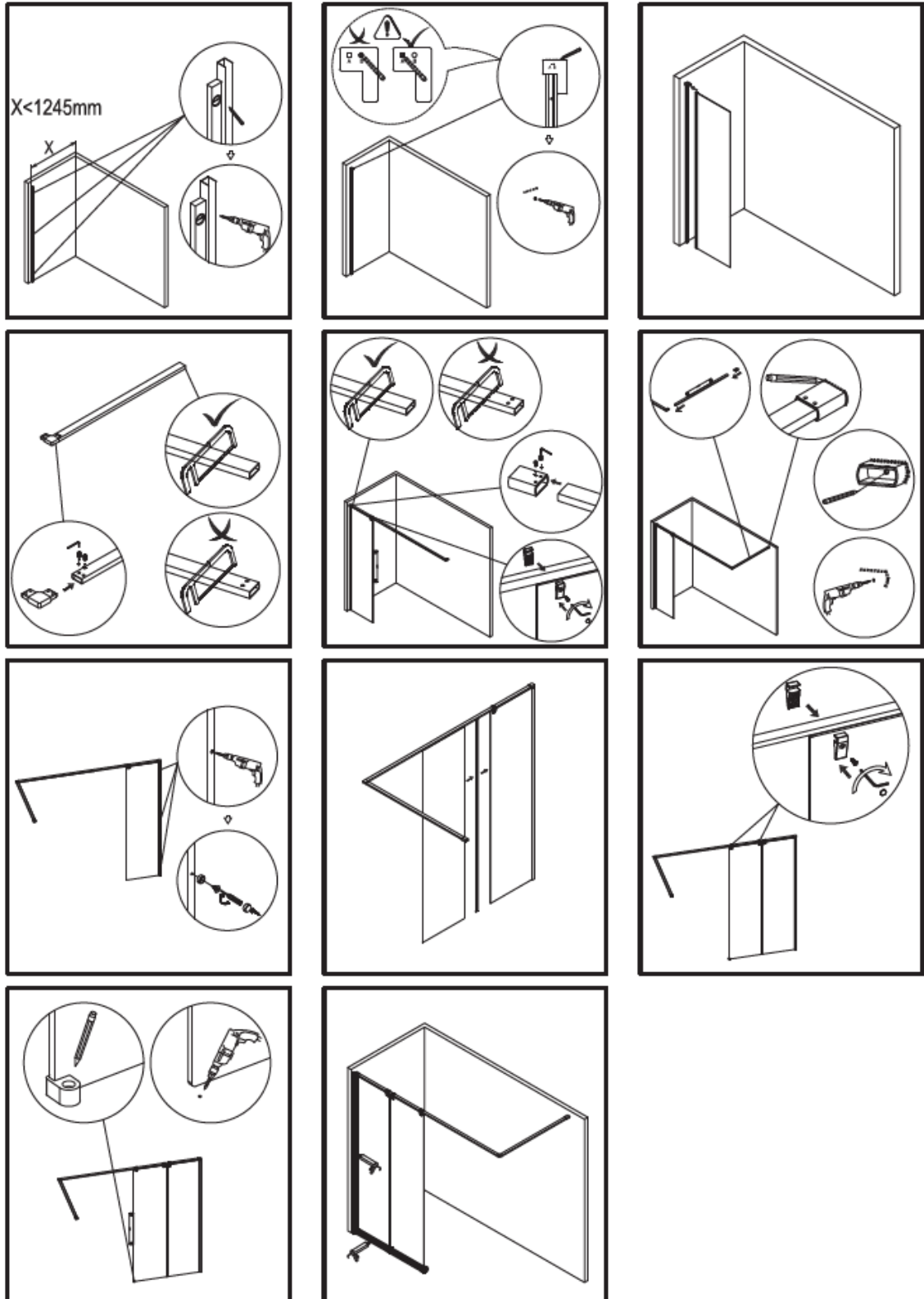
ACCESSORIES LIST



N.O.	PART NAME	QUAN.	N.O.	PART NAME	QUAN.
A	WALL CHANNEL	1	K	M5*8 SCREW	4
B	WALL PLUG	7	L	M4 WASHER AND CAP	3
C	ST9*35 SCREW	7	M	ST4*10 SCREW	3
D	WALL BRACKET	2	N	GASKET	1
E	FIXING GLASS PANEL	1	O	FLOOR BRACKET	1
F	PVC PANEL	1	P	CAP	1
G	GLASS PANEL	1	Q	SUPPORT ARM (L=2000MM)	1
H	GLASS CLIP	3	R	SUPPORT ARM (L=1200MM)	1
I	DECORATIVE CLIP	3	S	GASKET (GLASS CLIP)	6
J	CONNECTOR	1	T	MEASURING	1

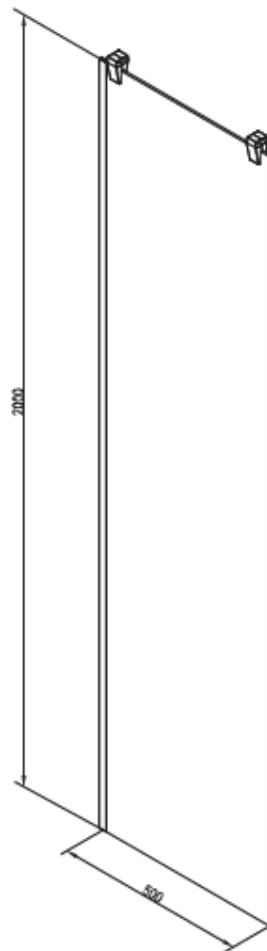
TREVI

COLLECTIONS



MODEL F7600 EXTENDABLE GLASS PANEL

KIT 2



GLASS PANEL IS SOLD SEPARATELY, IT IS AN OPTIONAL EXTRA, INCLUDING:

- Glass Panel X1 pcs
- Glass Clip X2 pcs
- PVC Seal X1 pcs

