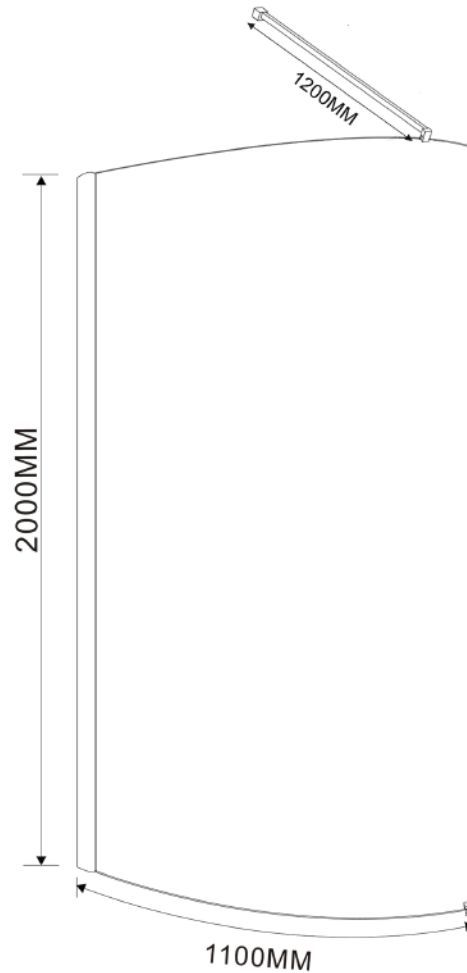


## INSTALLATION ILLUSTRATION OF MODEL F7110C



### IMPORTANT NOTICE

- Before the installation process begins, ensure that all components are in the box, and that the door is not damaged in any way.
- Be careful when moving the product, especially the glass, as it is tempered and is designed to shatter on impact if the corners are knocked.
- Read these instructions carefully and install the enclosure as specified below. We recommend that you use one of our preferred installers to install the enclosure.

## Tools used during installation.



## Accessories list

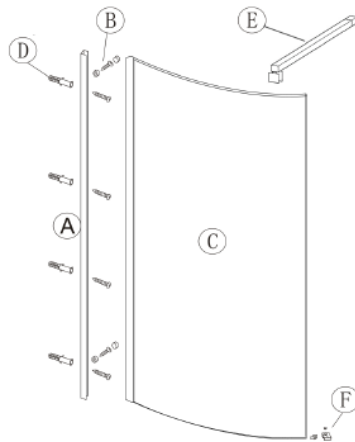
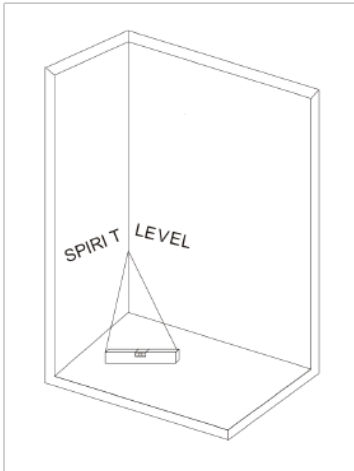
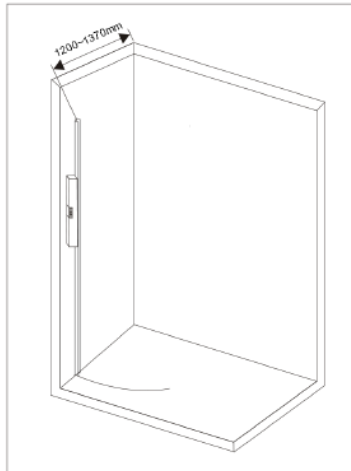


Fig.1

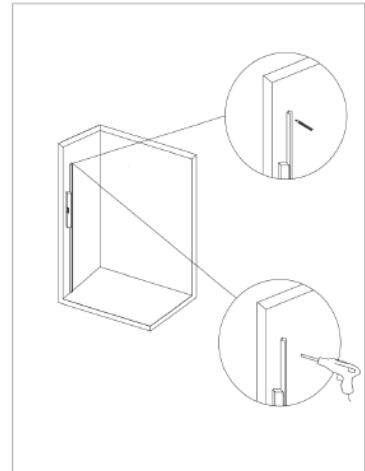
NO.	PART NAME	QUAN	NO.	PART NAME	QUAN
A	ALUMINIUM WALL CHANNEL	1	D	SCREW AND WALL PLUGS	6
B	St4*10 SCREW	2	E	SUPPORTING ARM	1
C	GLASS PANEL	1	F	FLOOR BRACKET	1



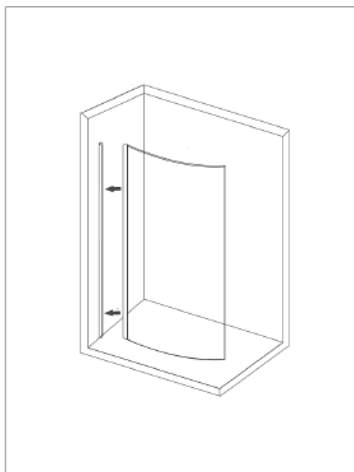
1. Ensure that the floor is level before you begin with the installation.



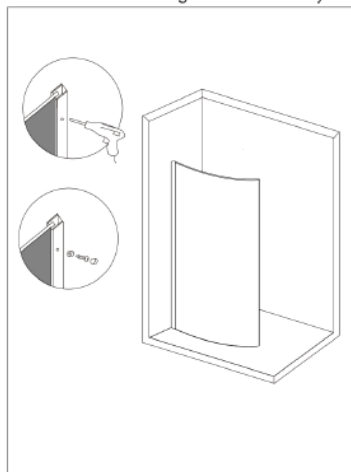
2. Measure between 1200mm and 1370mm from the 90 degree corner (depending on the support arm's length between 1000mm and 1200mm) and mark on the outside of the aluminium wall channel. Use the installation template printed inside of the box to make sure the tiling is done accurately.



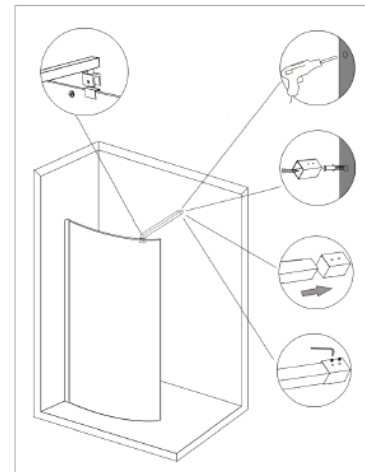
3. Ensure that you use a spirit level to make sure that the wall channel is completely plumb before you mark and drill the holes.



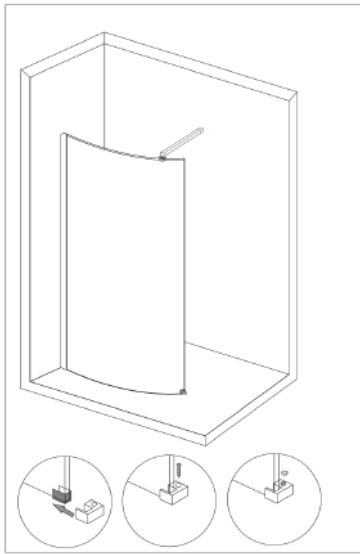
4. Install the glass panel.



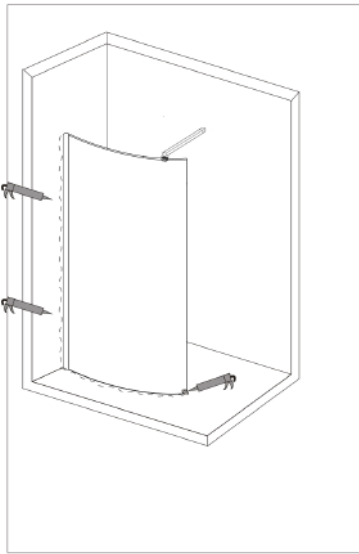
5. Once the screen is in place and the profile is correctly placed over the wall channel you can fix the screen in place through supplied screws and decorative caps.



6. Install the support arm.



7. Set floor bracket.



8. You now need to seal the screen with a good anti fungal silicone, only seal the outside of the screen. **DO NOT SEAL THE SCREEN ON BOTH SIDES.**



9. Allow the screen to dry for at least 24hours before making use of it.